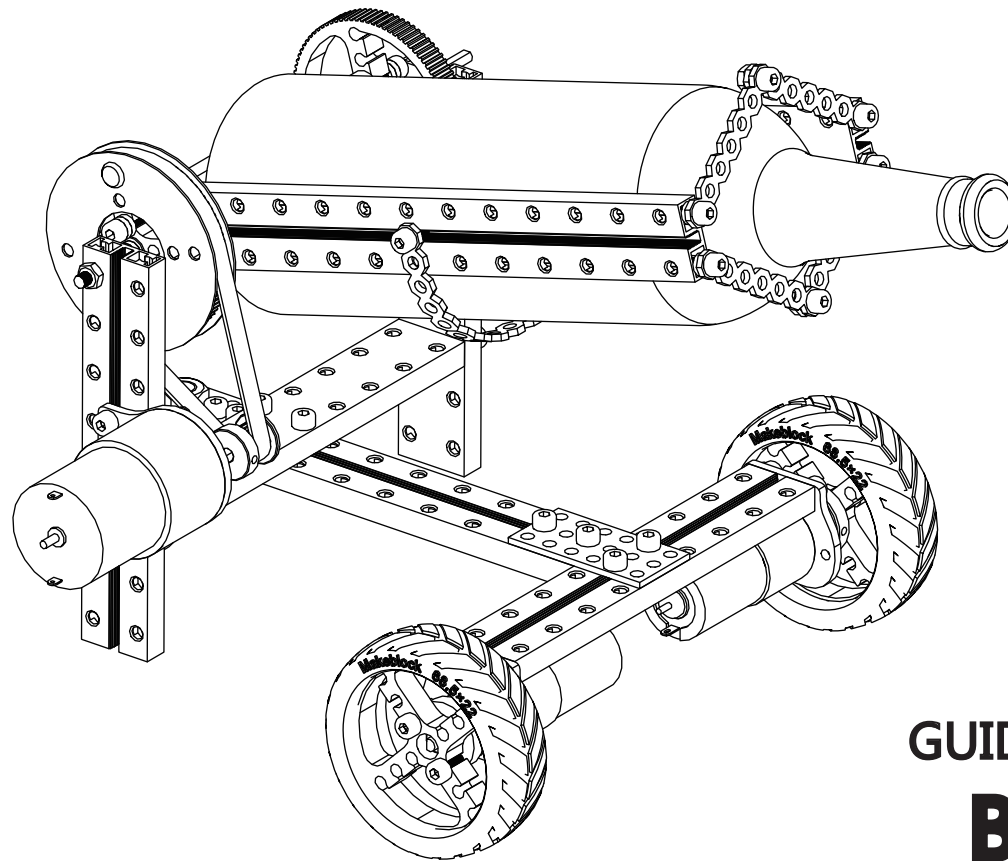


# Makeblock

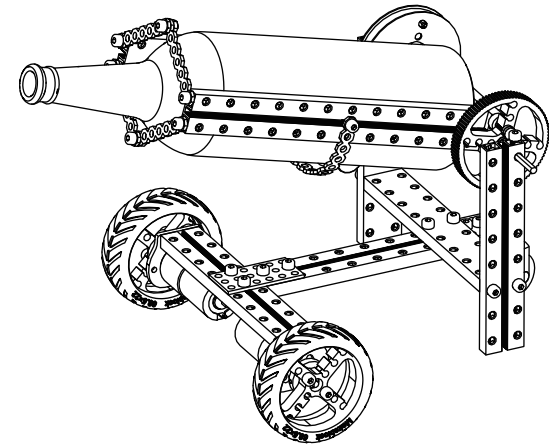
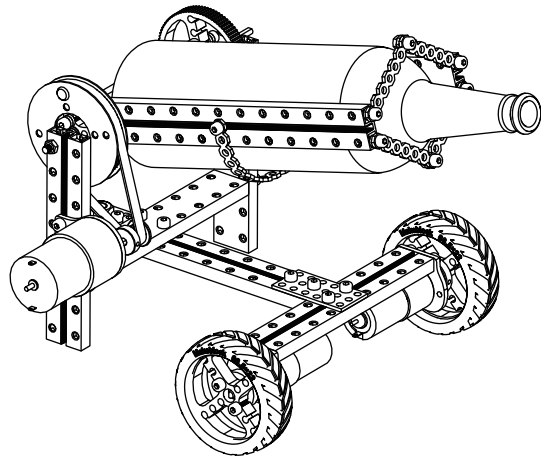
CONSTRUCT YOUR DREAMS



## Suitable for use

- Advanced kit
- Ultimate kit
- Lab kit

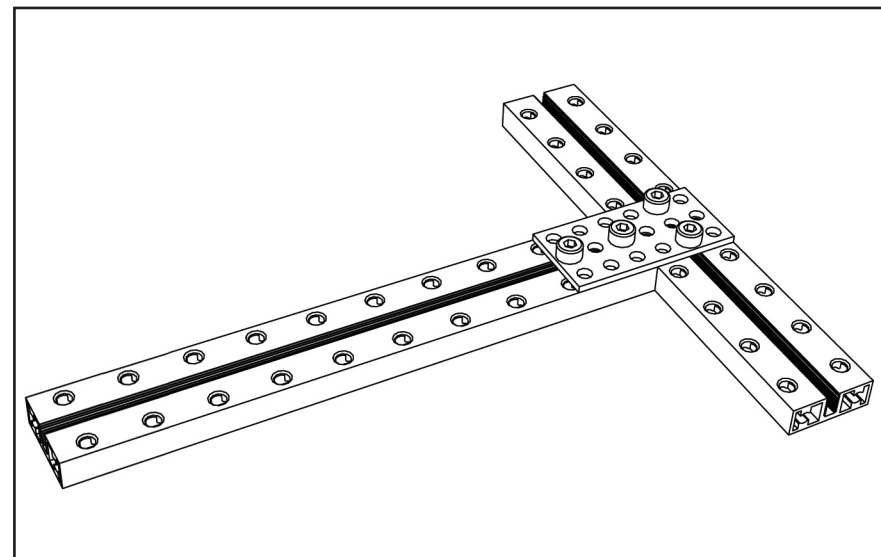
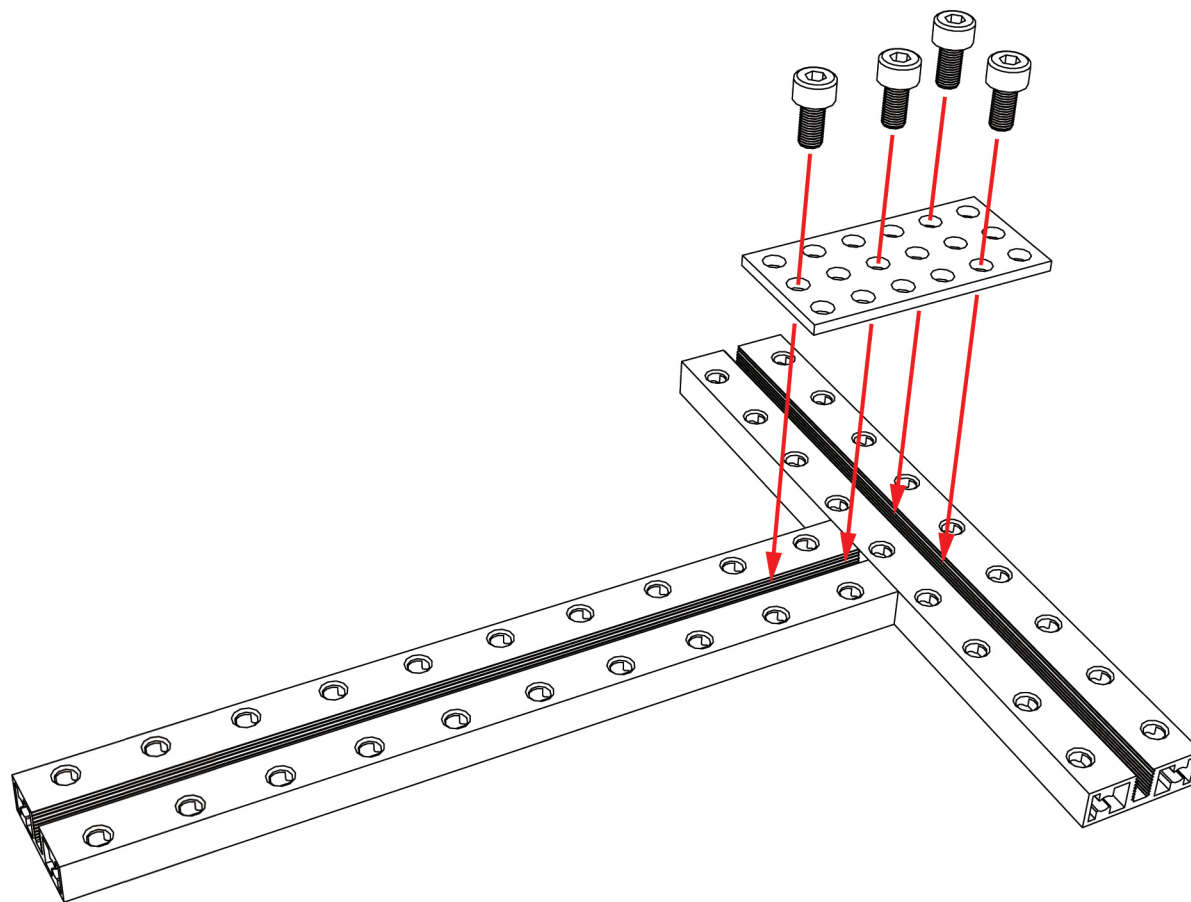
## GUIDE FOR BUILDING THE **BEER ROBOT**



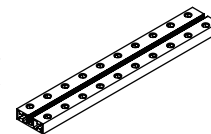
# Part list

2X		Beam 0824-192	2X		Timing Pulley Slice 90T	2X		Shaft Connector-4
1X		Beam 0824-160	2X		DC Motor-25 Bracket	4X		Shaft Collar 4mm
2X		Beam 0824-144	1X		DC Motor-37 Bracket	1X		Threaded Shaft 4x31mm
2X		Beam 0824-128	2X		DC Motor-25	3X		Flange Bearing 4x8x3mm
1X		Beam 0824-96	1X		DC Motor-37	3X		Nut M4
3X		Link Rod	1X		Caster Wheel	19X		Screw M4x8
1X		Plate 3x6	1X		Nut M8	14X		Screw M4X14
1X		Bracket P3	2X		Tyre 68.5x22mm	4X		Screw M4x22
4X		Timing Pulley 90T	1X		Timing Belt 123T	6X		Countersunk Screw M3x8
1X		Timing Pulley 18T	1X		D Shaft 4x50	2X		Headless Screw M3x5
						2X		Plastic Rivet R4120
						15X		Plastic Ring 4x7x2

# 1



2x



Beam 0824-160

1x

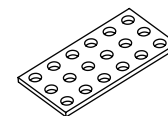


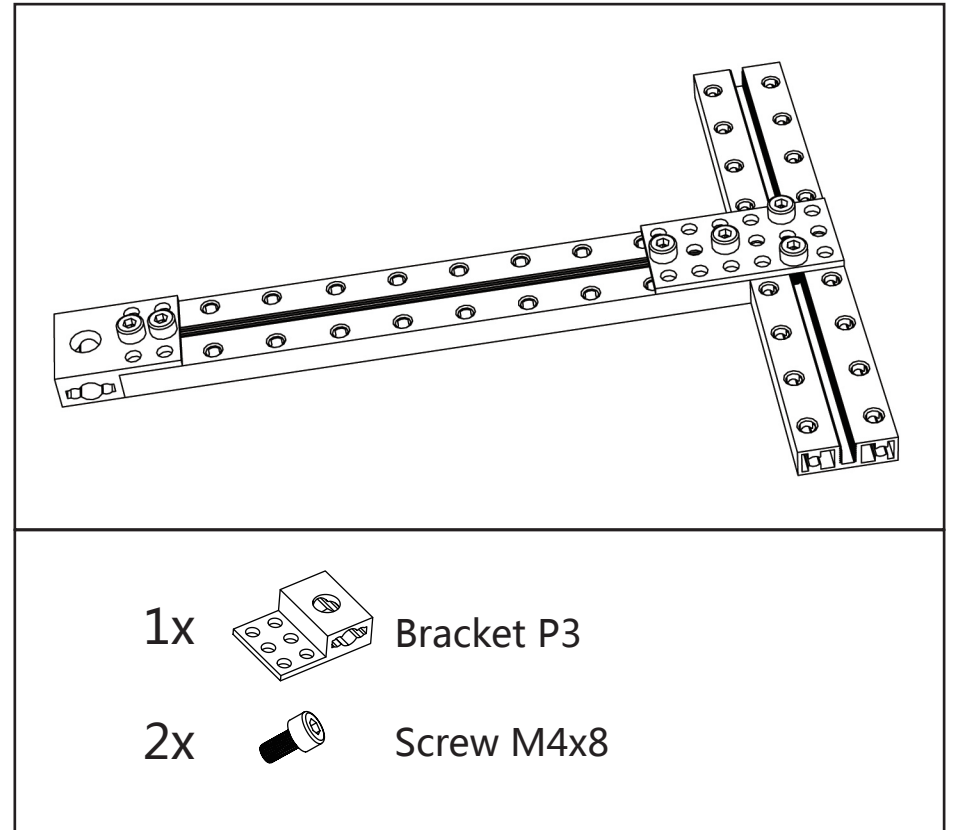
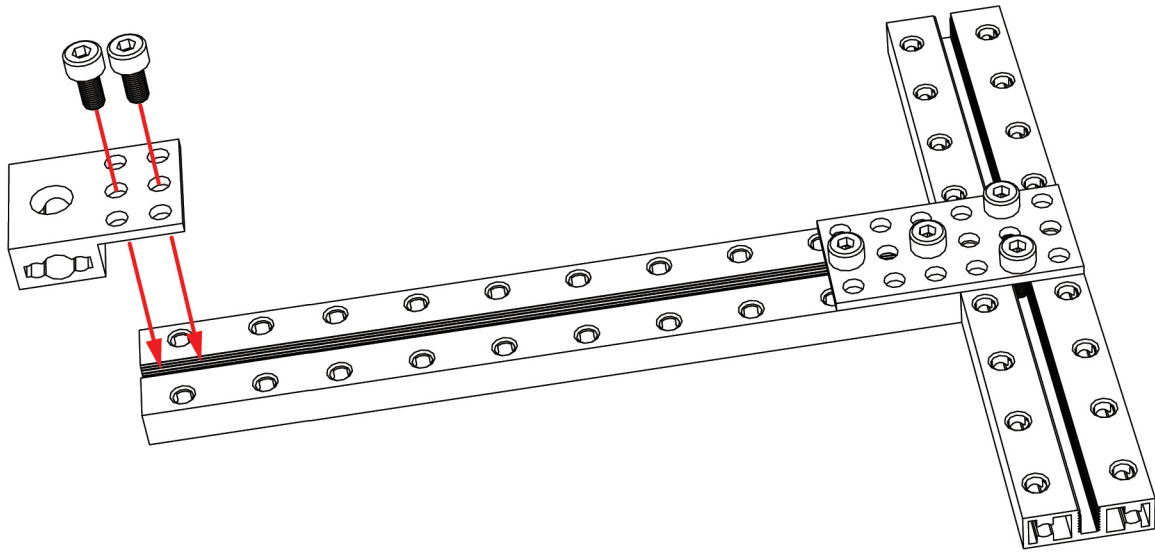
Plate 3x6

4x

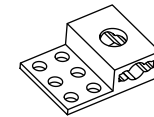


Screw M4x8

2



1x



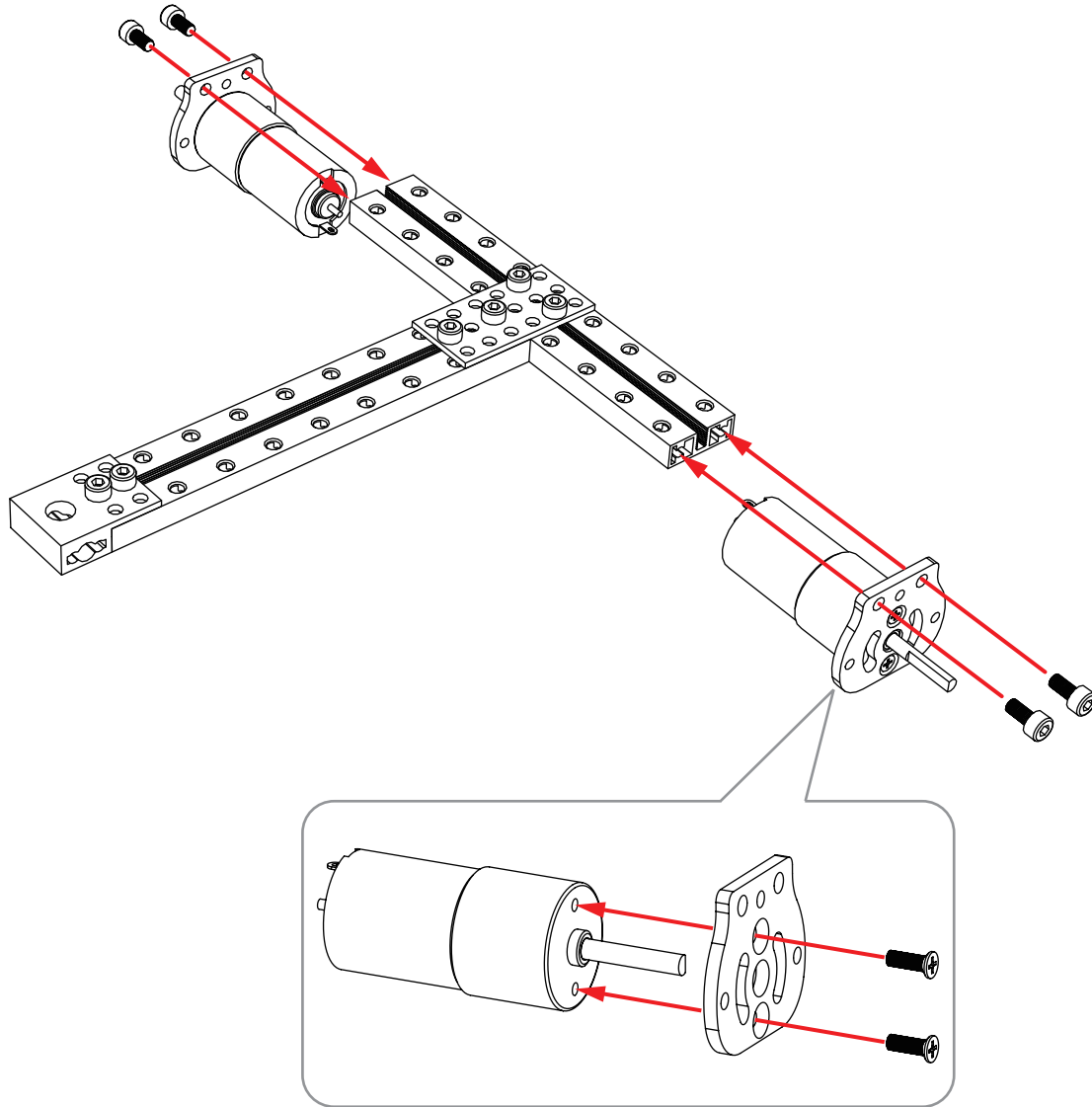
Bracket P3

2x

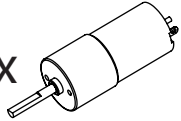





Screw M4x8

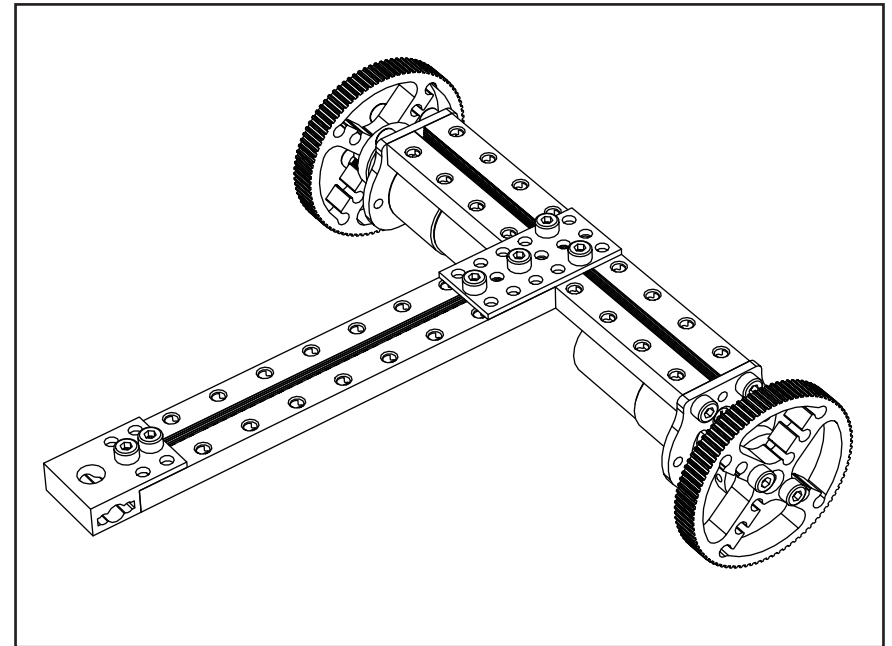
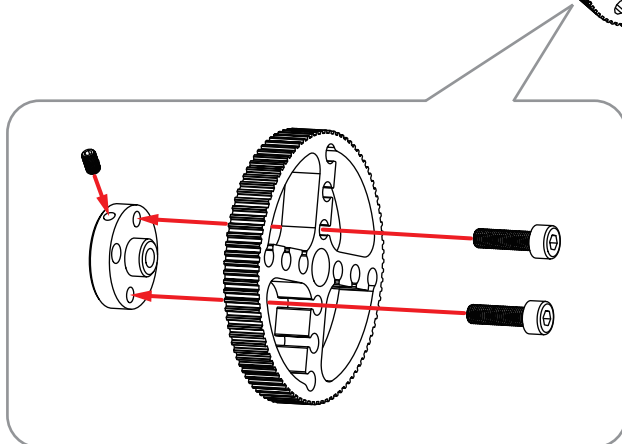
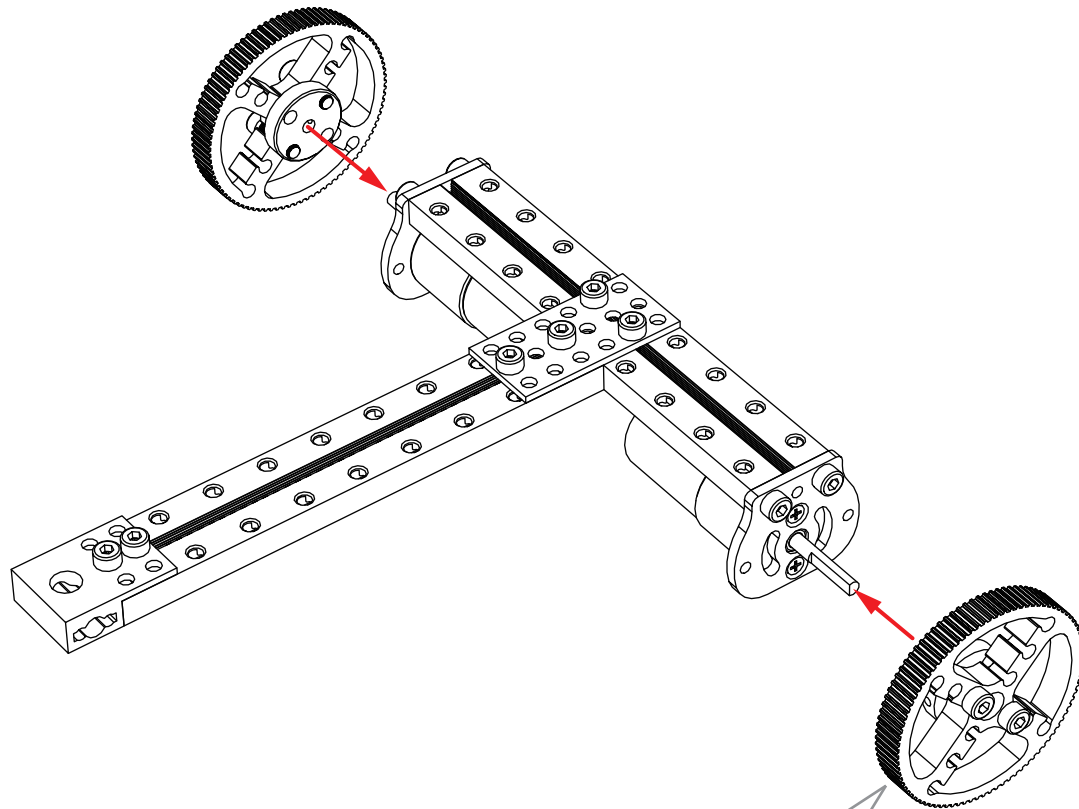
3







This diagram shows the fully assembled unit, consisting of two DC motors mounted on a central cross-shaped bracket. The assembly is shown from a perspective view.

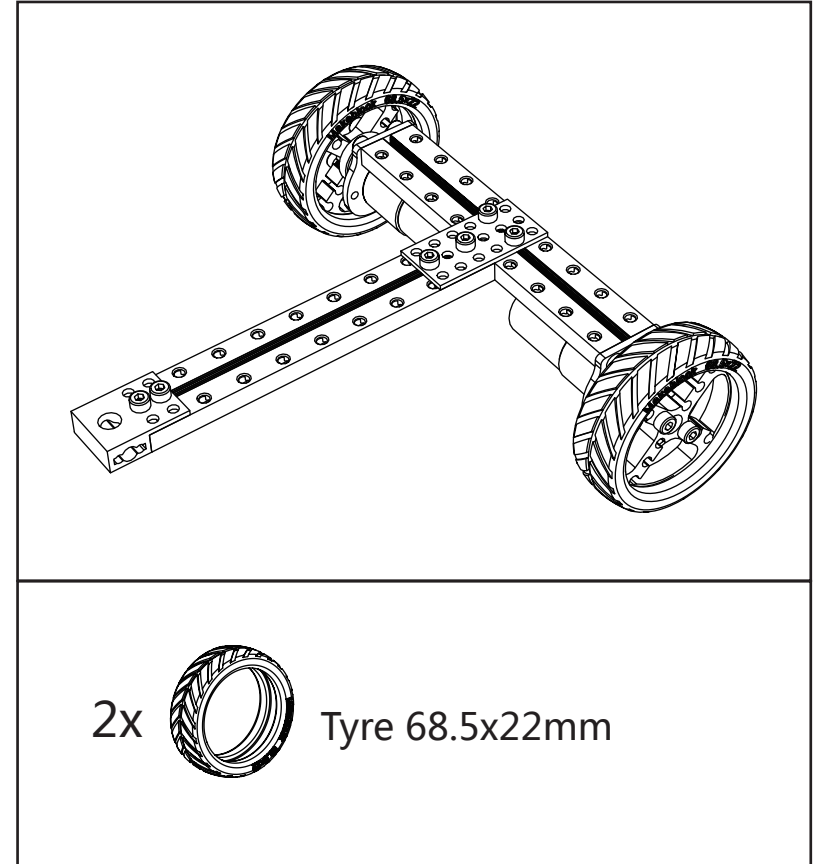
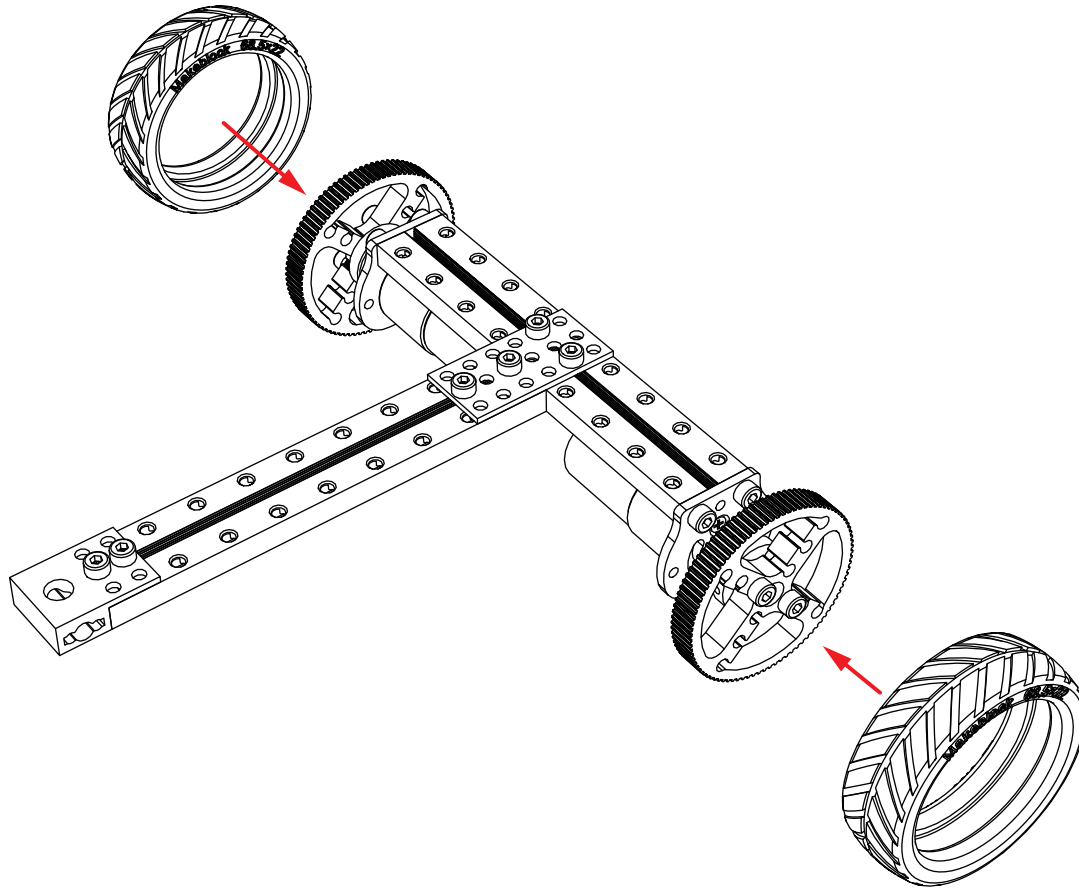
- 2x  DC Motor-25
- 2x  DC Motor-25 Bracket
- 4x  Screw M4x8
- 4x  Countersunk Screw M3x8

4

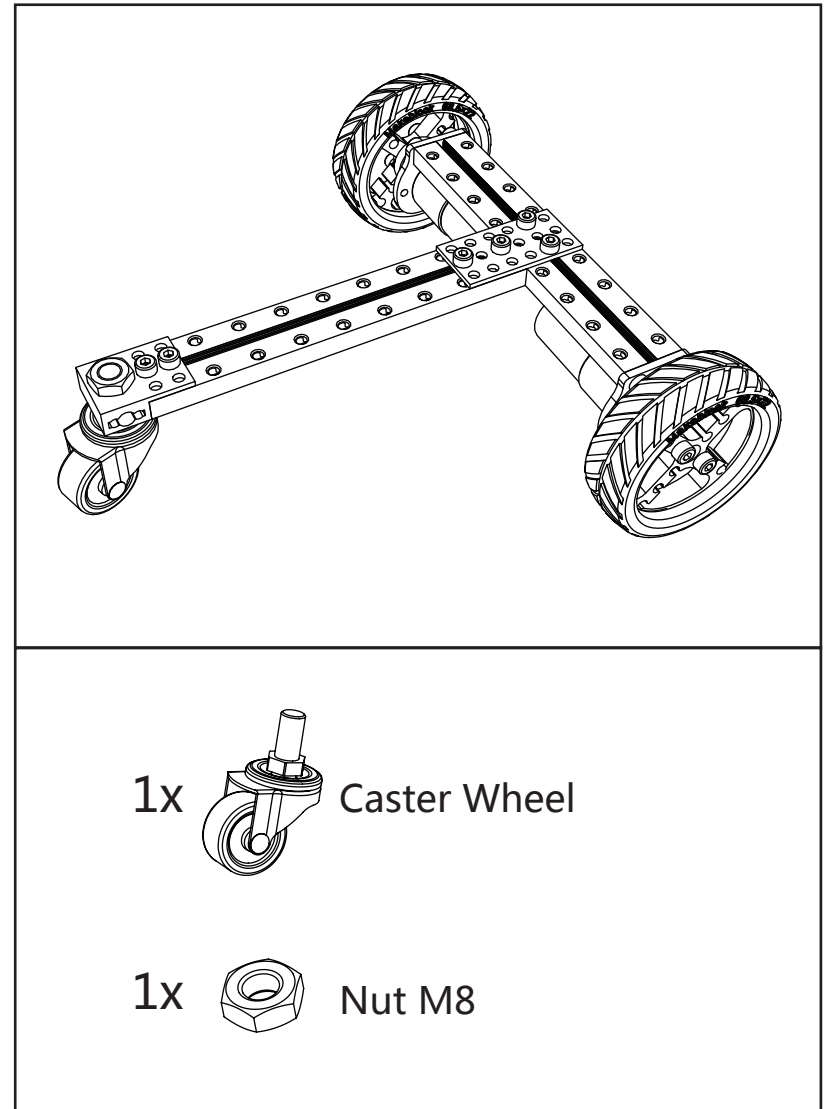
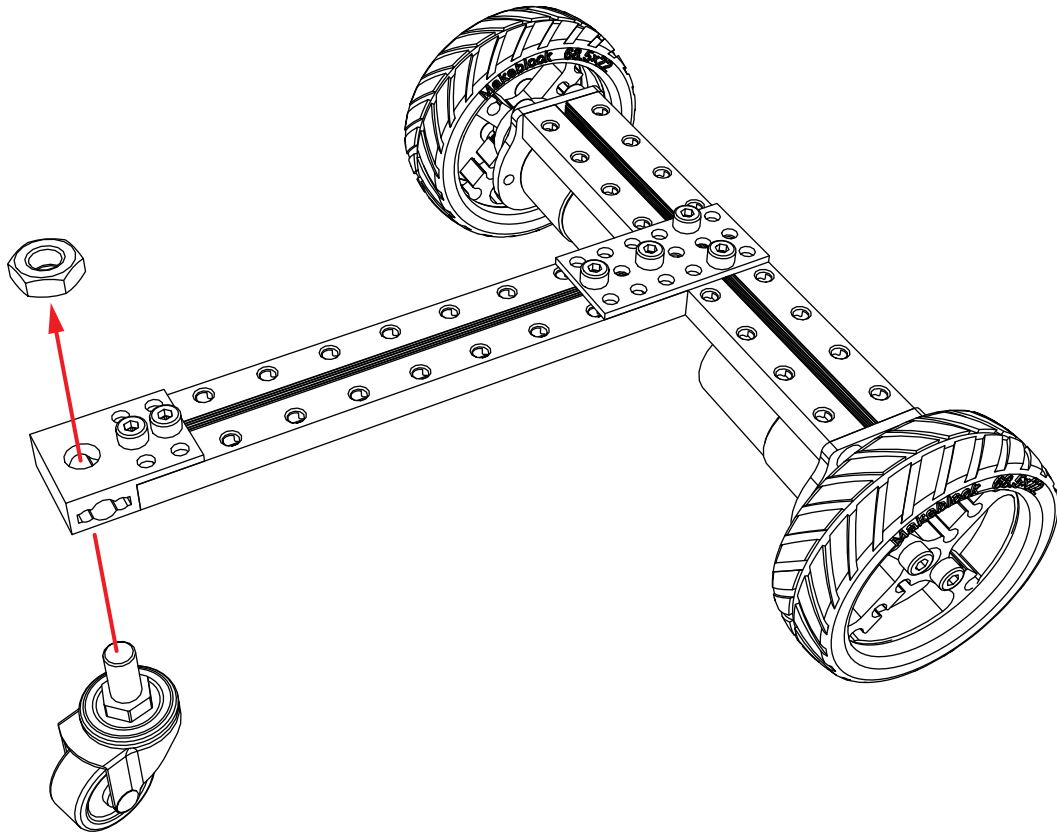


- 2x  Timing Pulley 90T
- 2x  Shaft Connector-4
- 4x  Screw M4X14
- 2x  Headless Screw M3x5

5

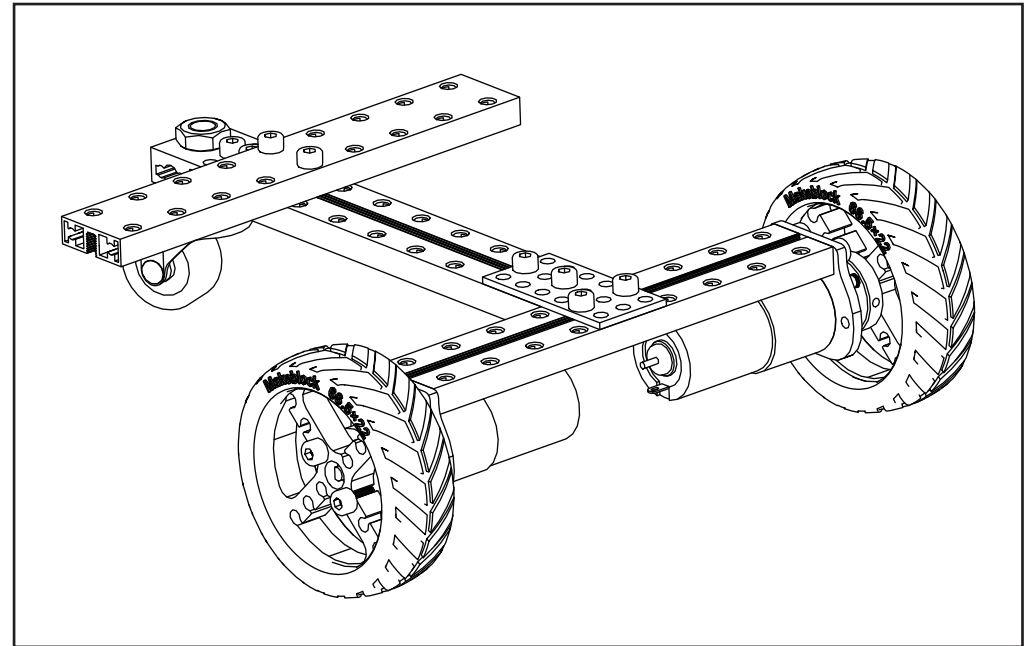
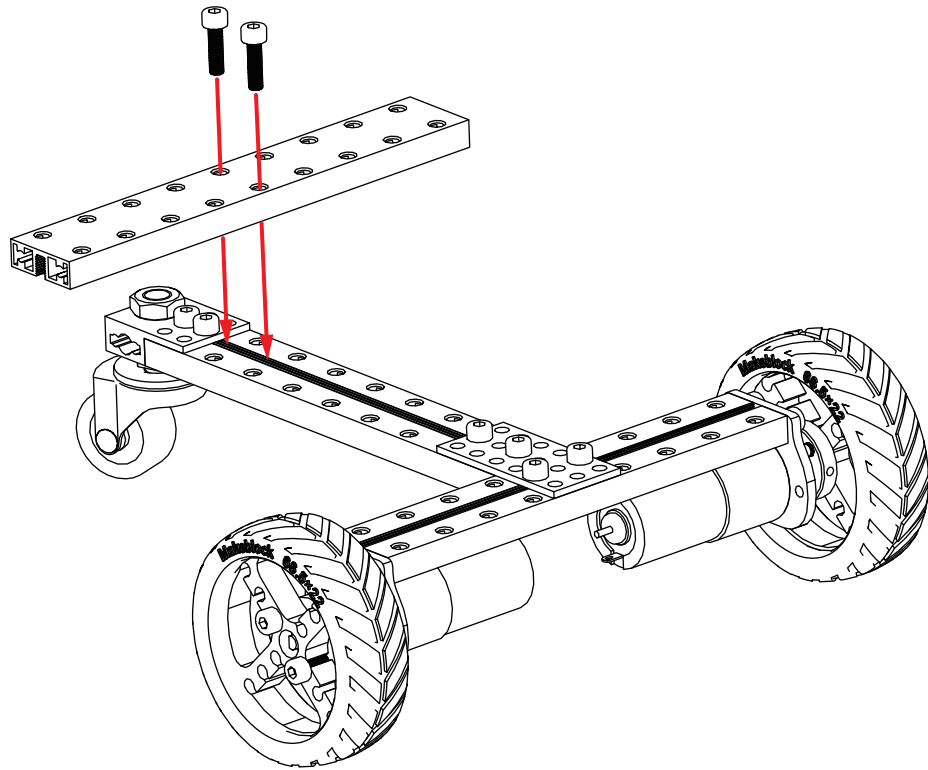


6

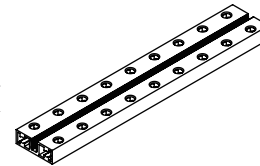




7



1x



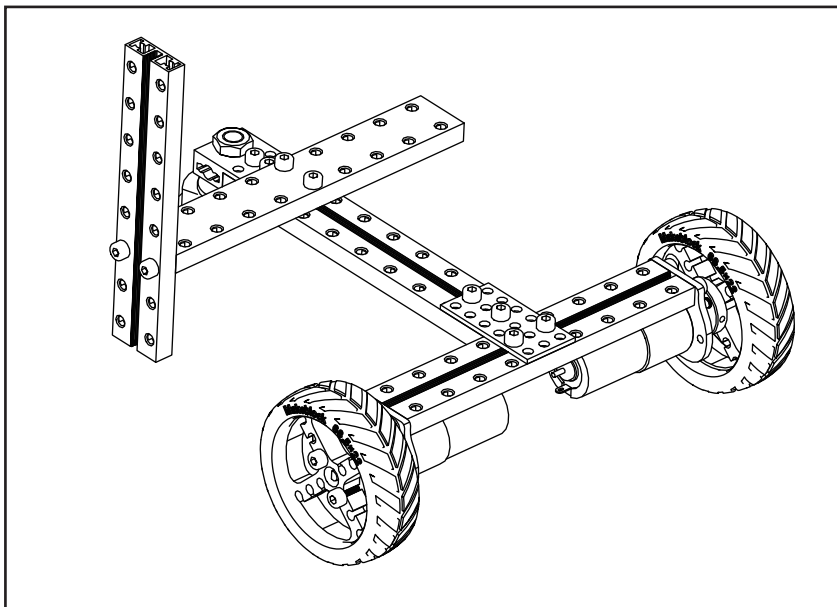
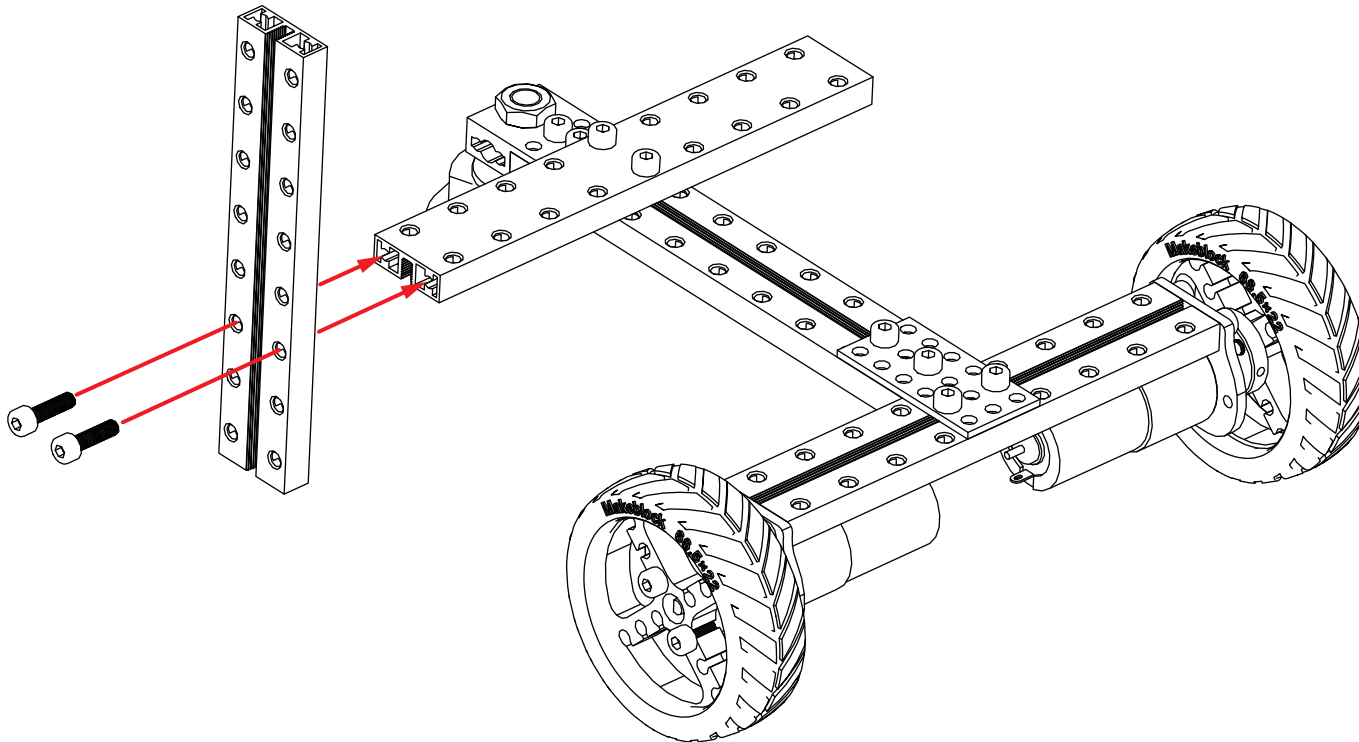
Beam 0824-144

2x

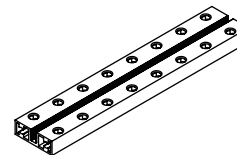


Screw M4X14

8



1x



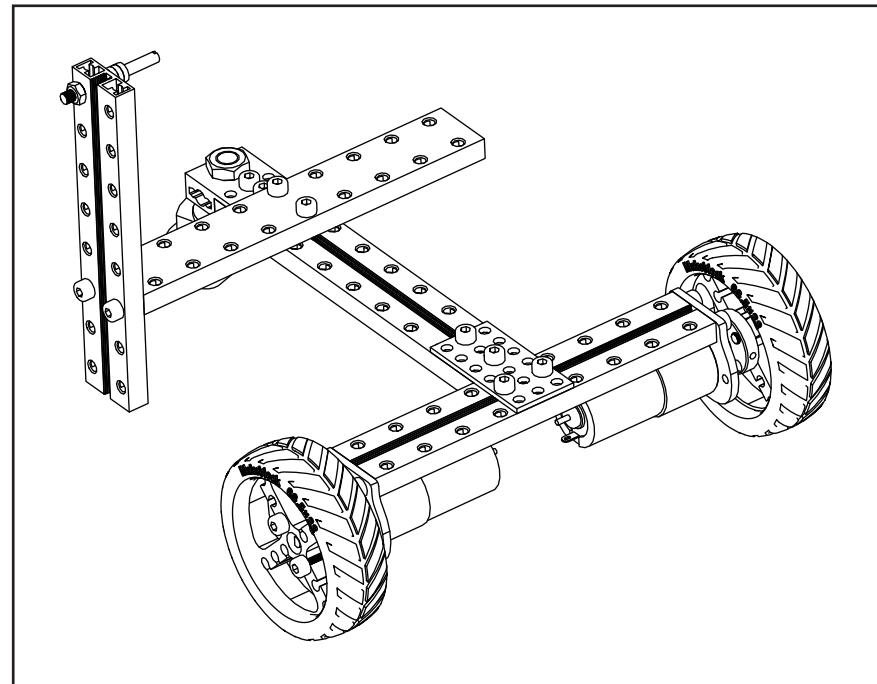
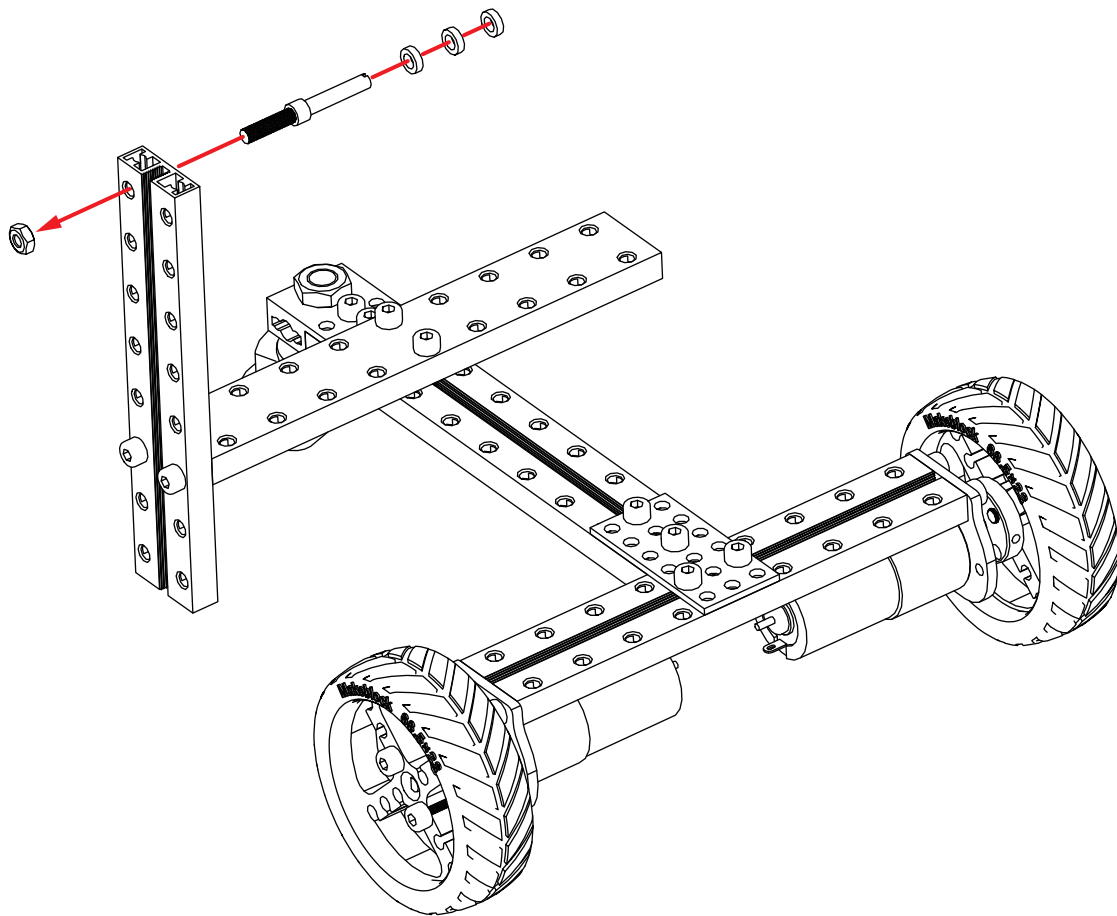
Beam 0824-128

2x



Screw M4X14

9



1x



Threaded Shaft 4x31mm

1x



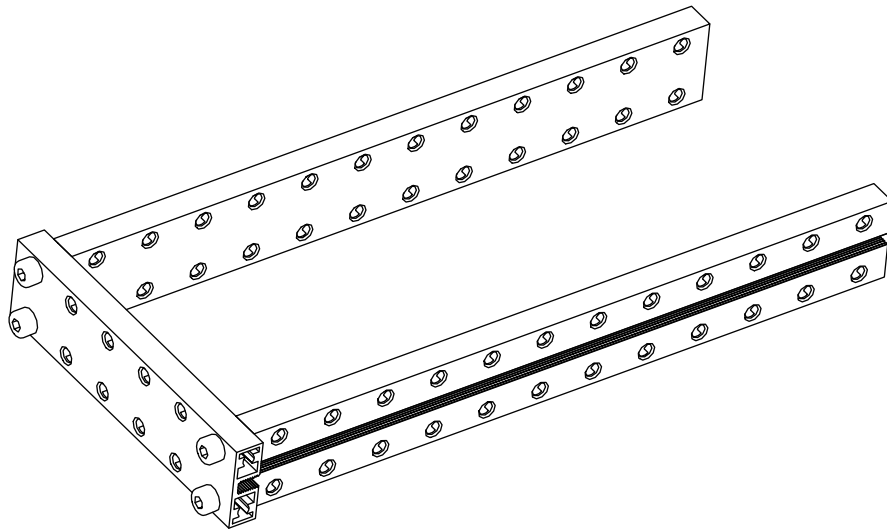
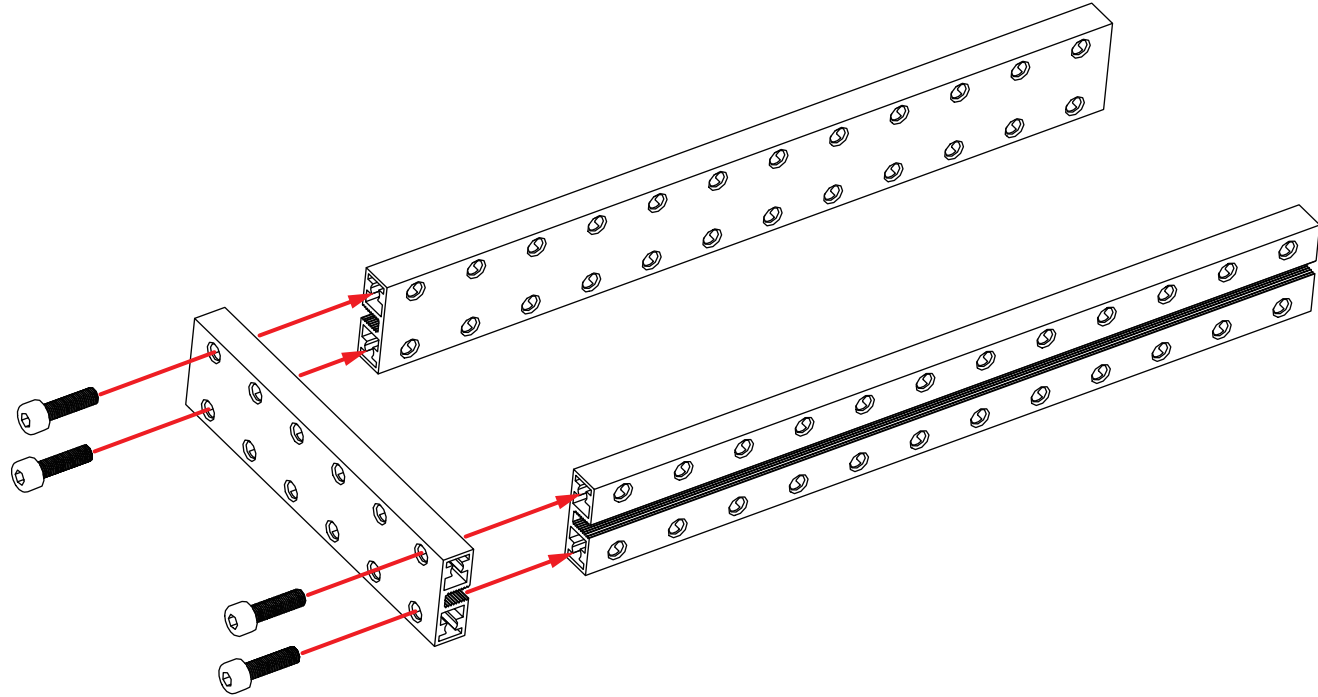
Nut M4

3x

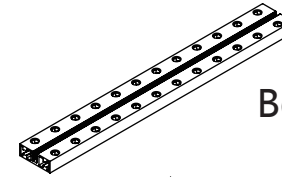


Plastic Ring 4x7x2

# 10

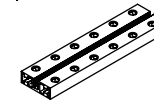


2x



Beam 0824-192

1x



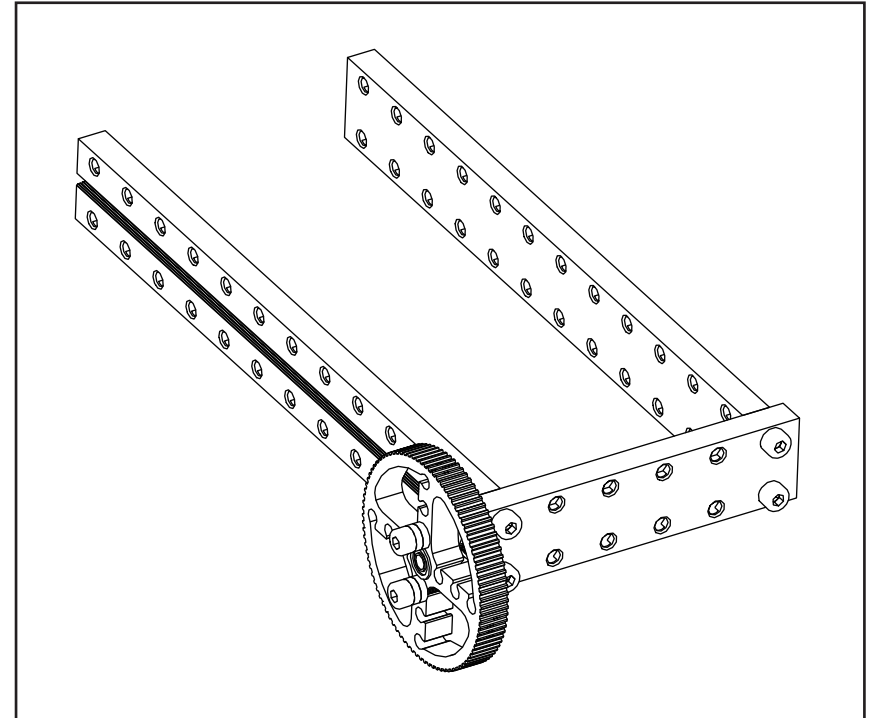
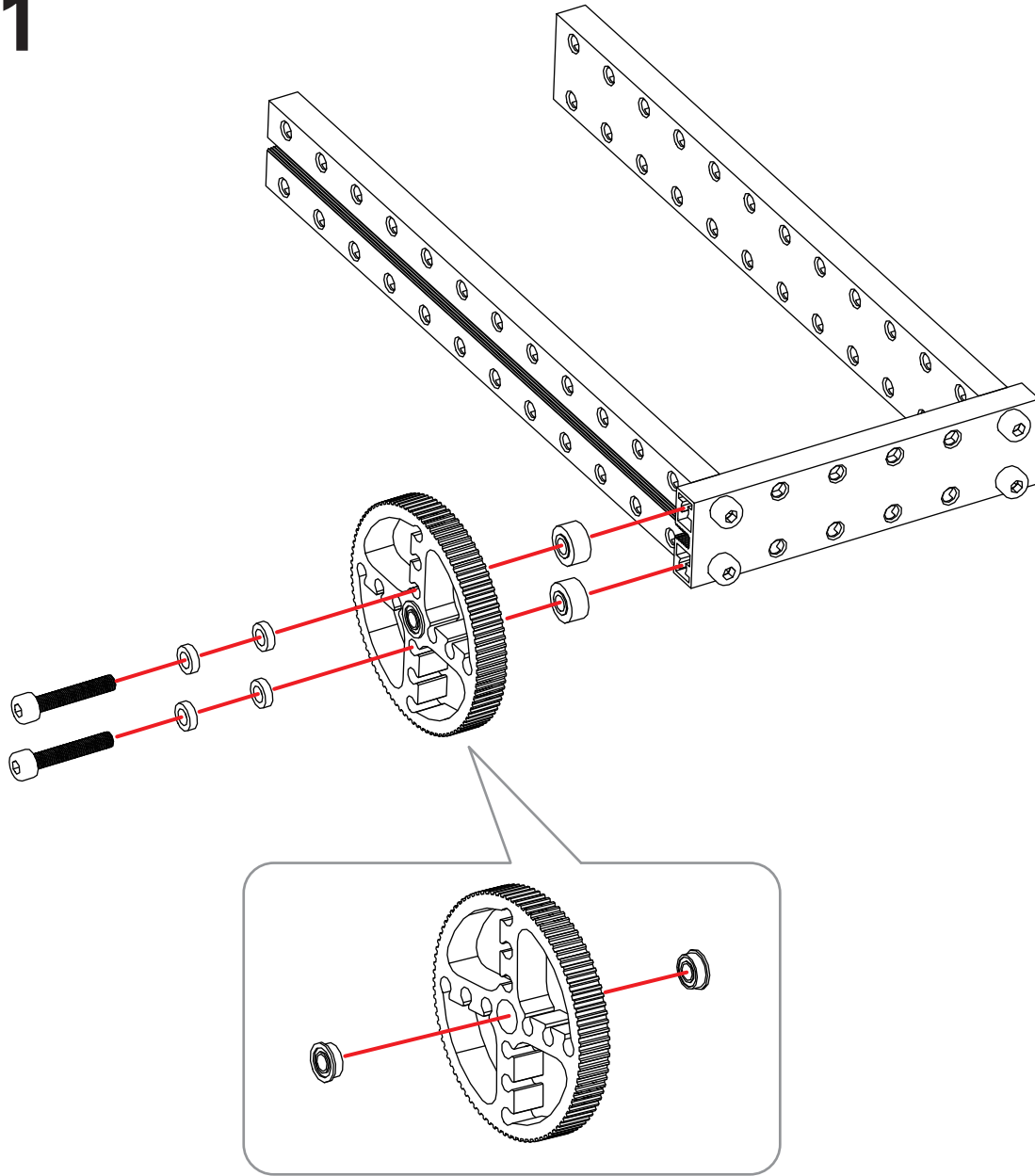
Beam 0824-96

4x



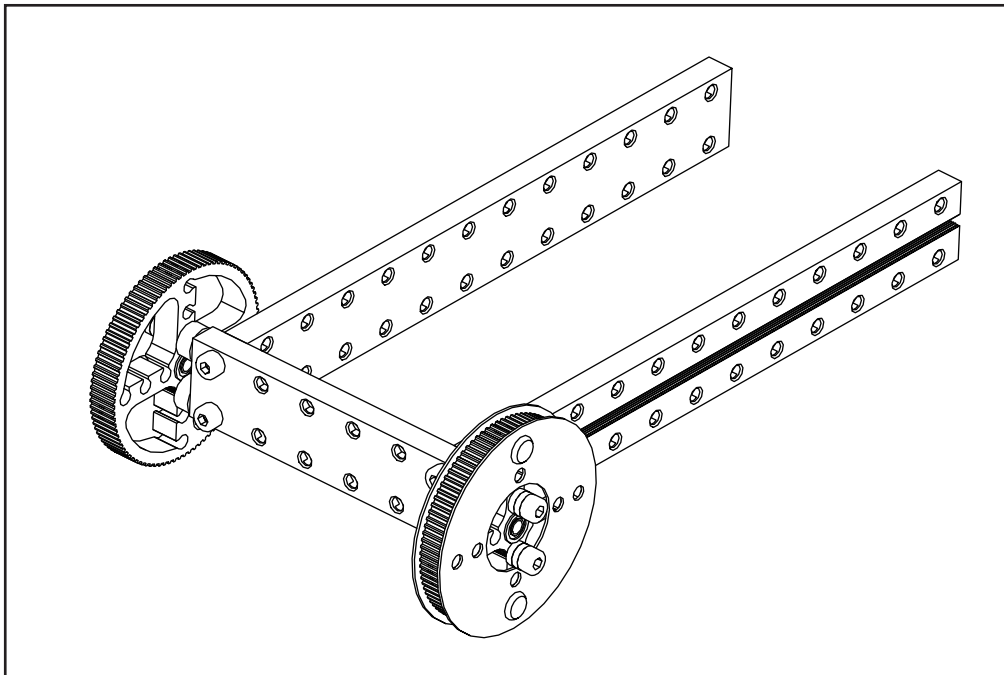
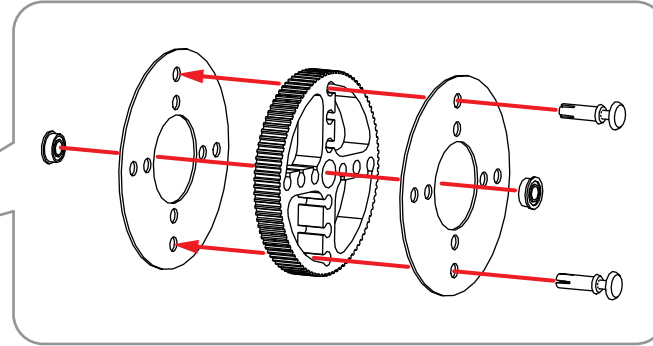
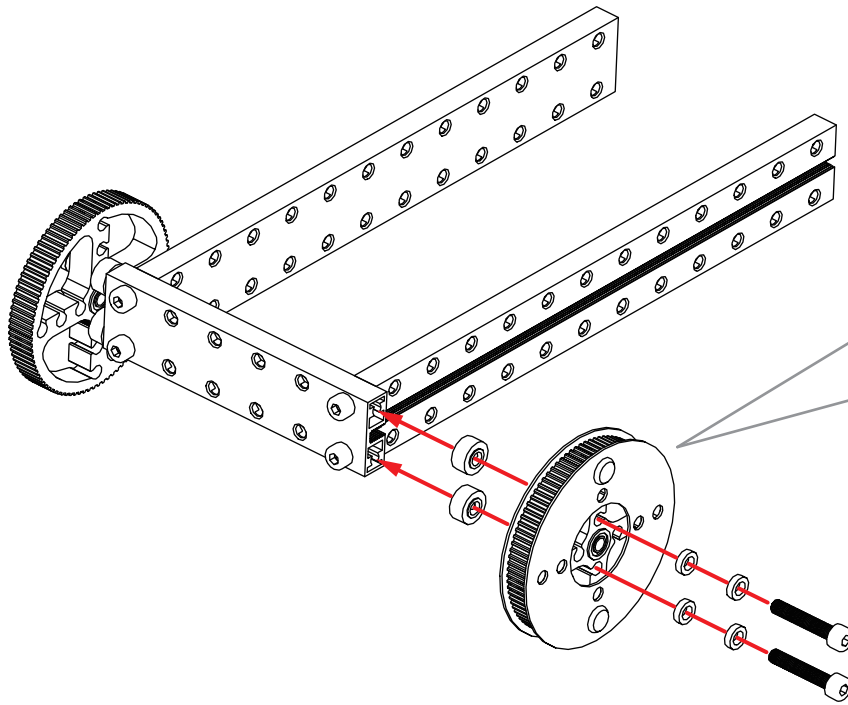
Screw M4X14

# 11



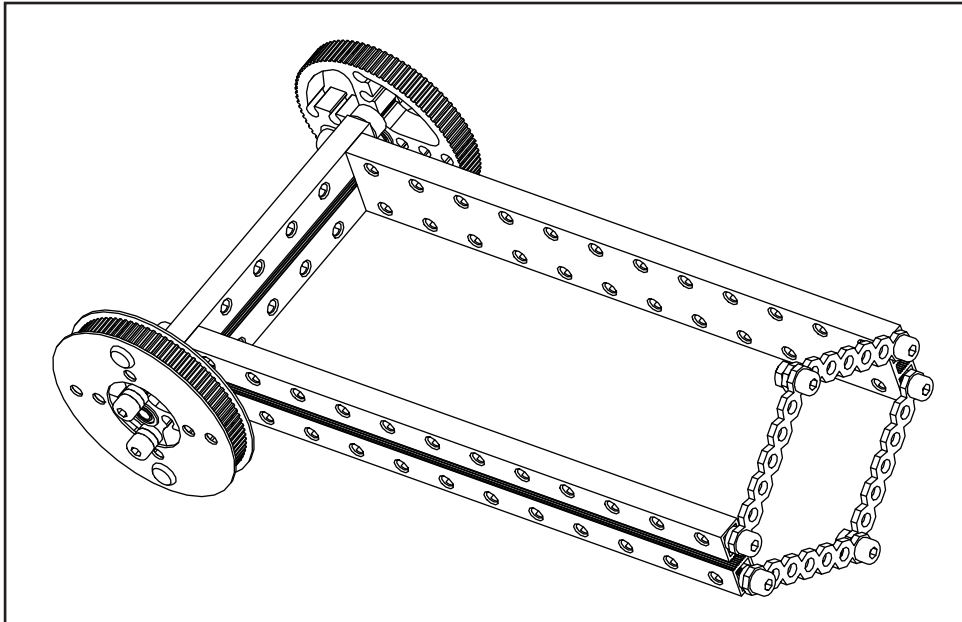
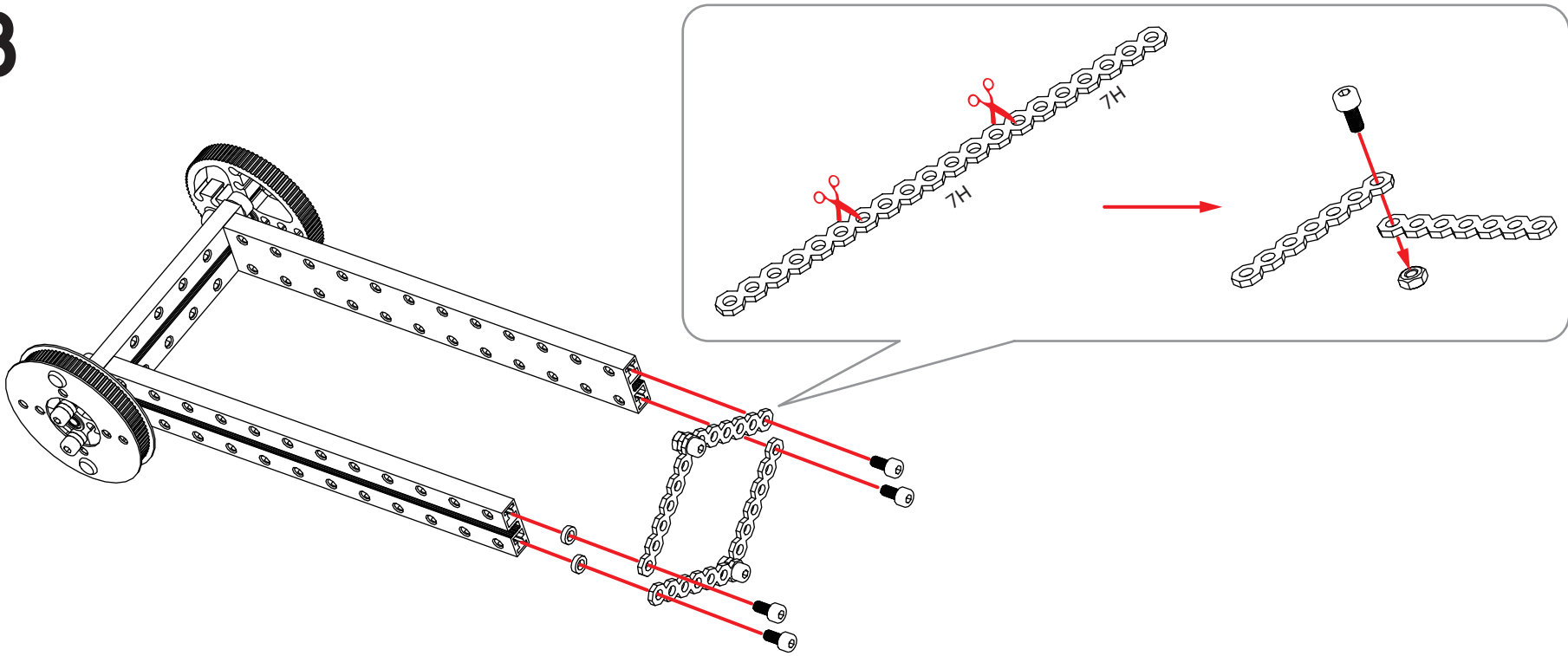
- 1x  Timing Pulley 90T
- 2x  Flange Bearing 4x8x3mm
- 2x  Screw M4x22
- 4x  Plastic Ring 4x7x2
- 2x  Shaft Collar 4mm

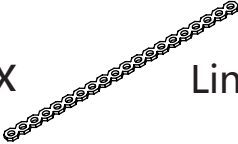



# 12



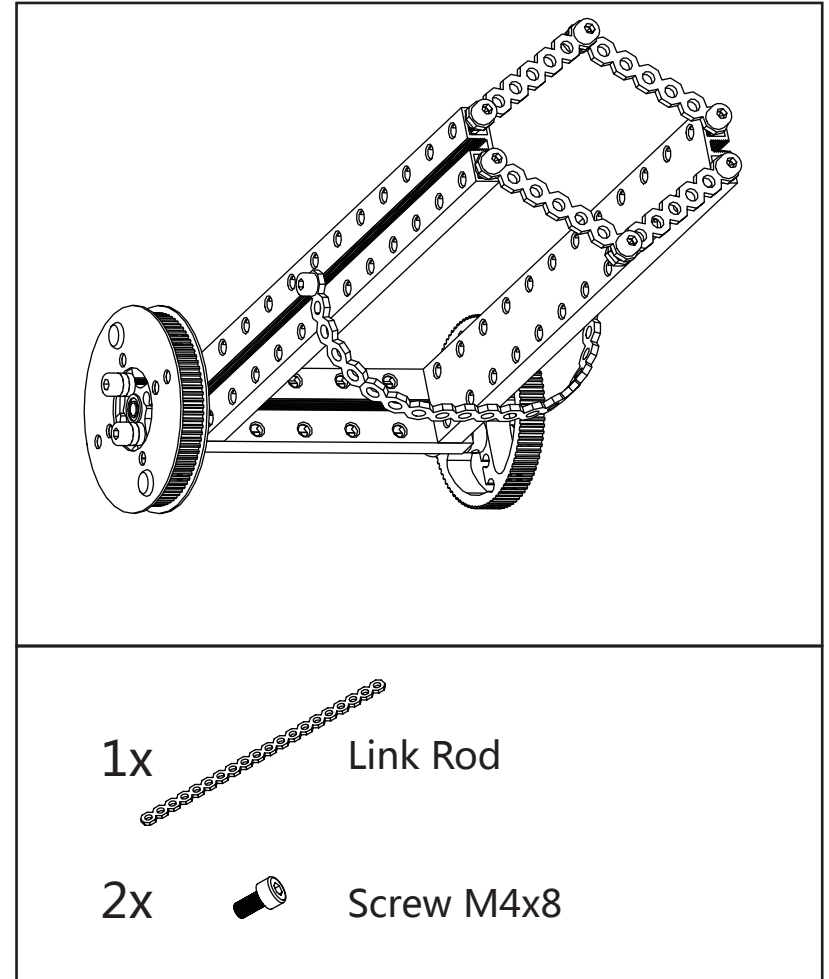
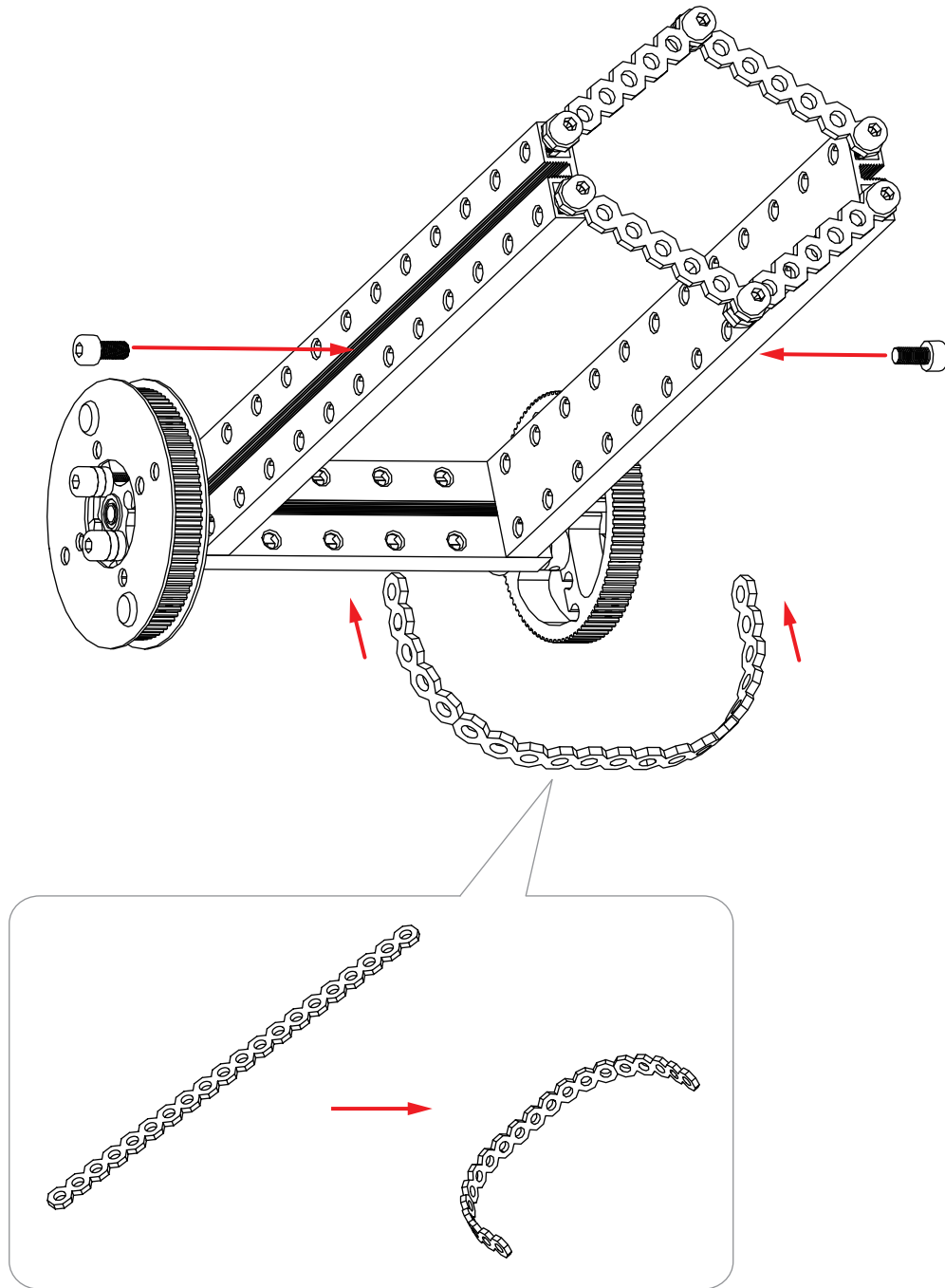
- 1x  Timing Pulley 90T
- 2x  Timing Pulley Slice 90T
- 2x  Shaft Collar 4mm
- 2x  Flange Bearing 4x8x3mm
- 2x  Plastic Ring 4x7x2
- 2x  Plastic Rivet R4120
- 4x  Screw M4x22

# 13

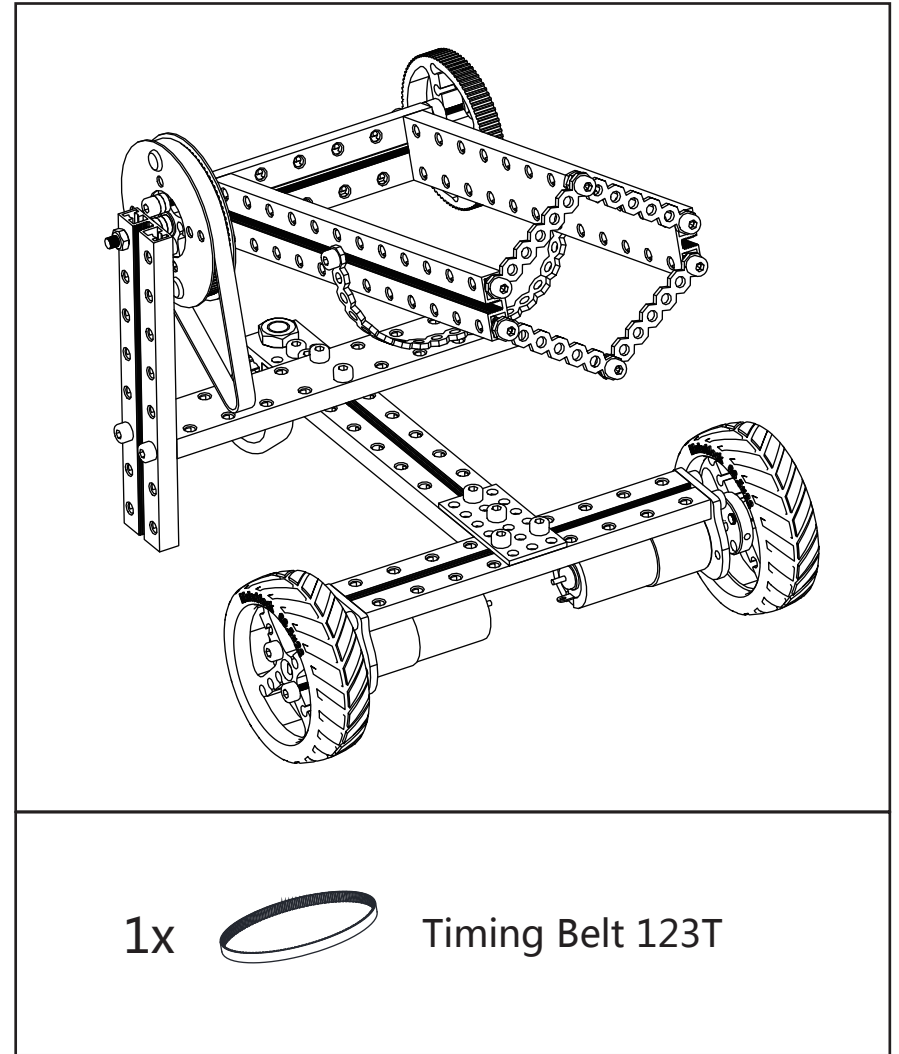
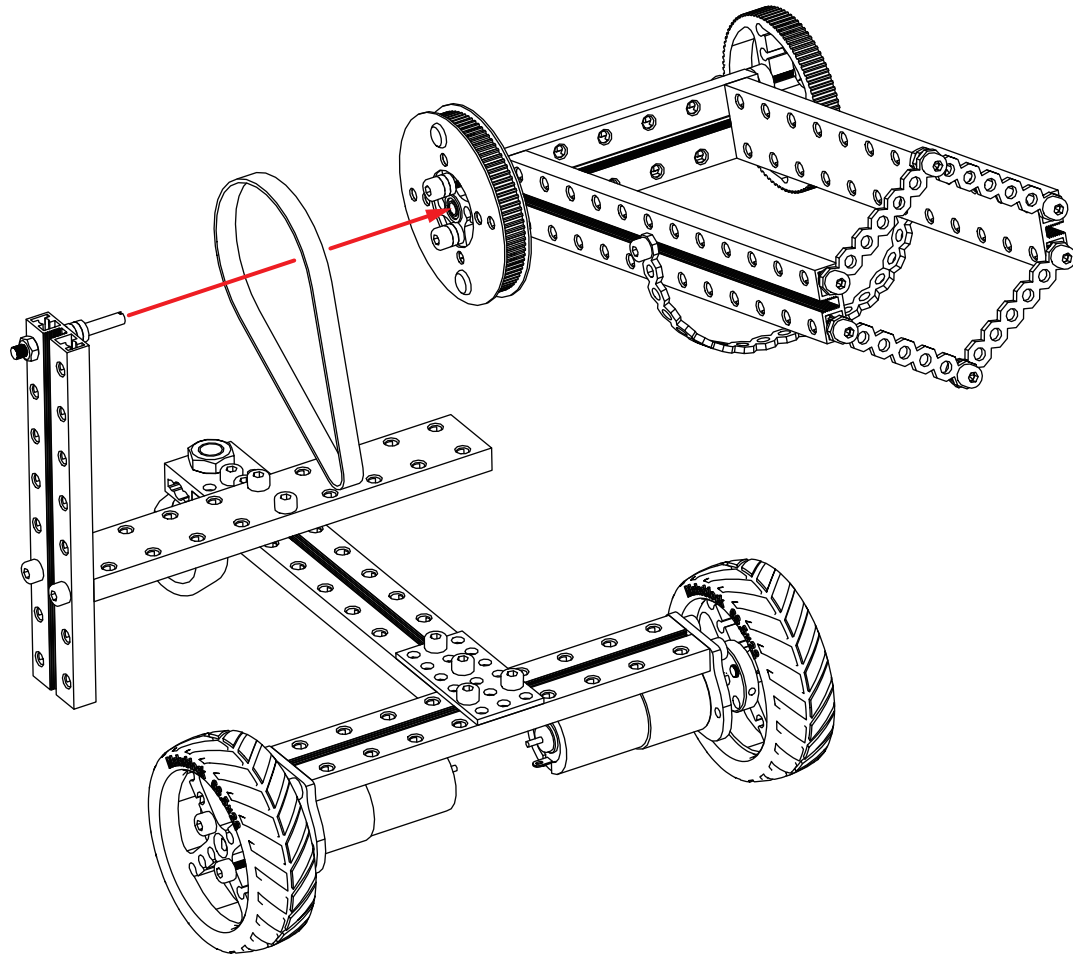


- 2x  Link Rod
- 6x  Screw M4x8
- 2x  Nut M4
- 2x  Plastic Ring 4x7x2

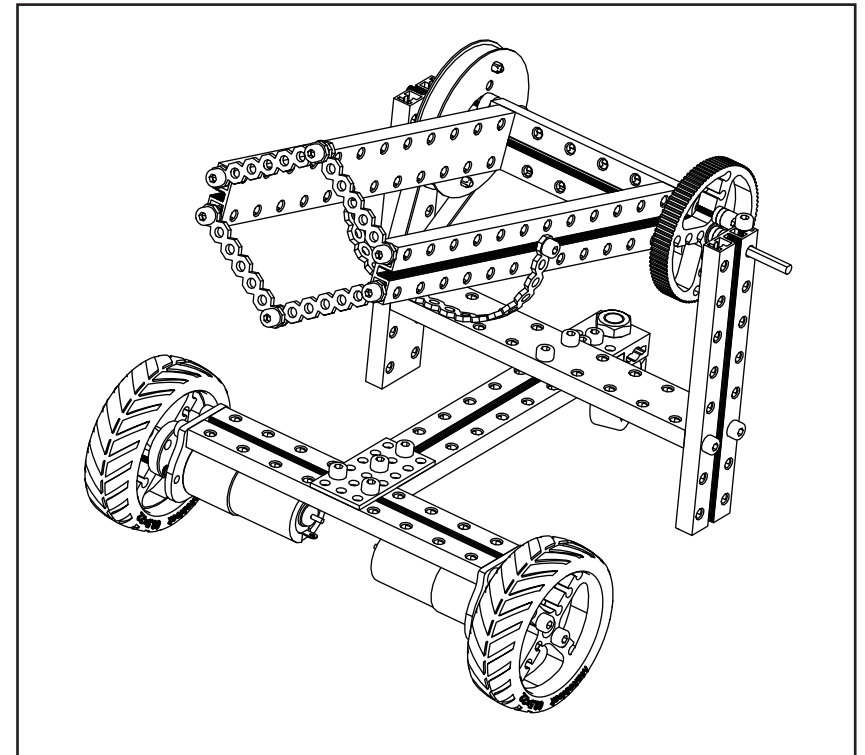
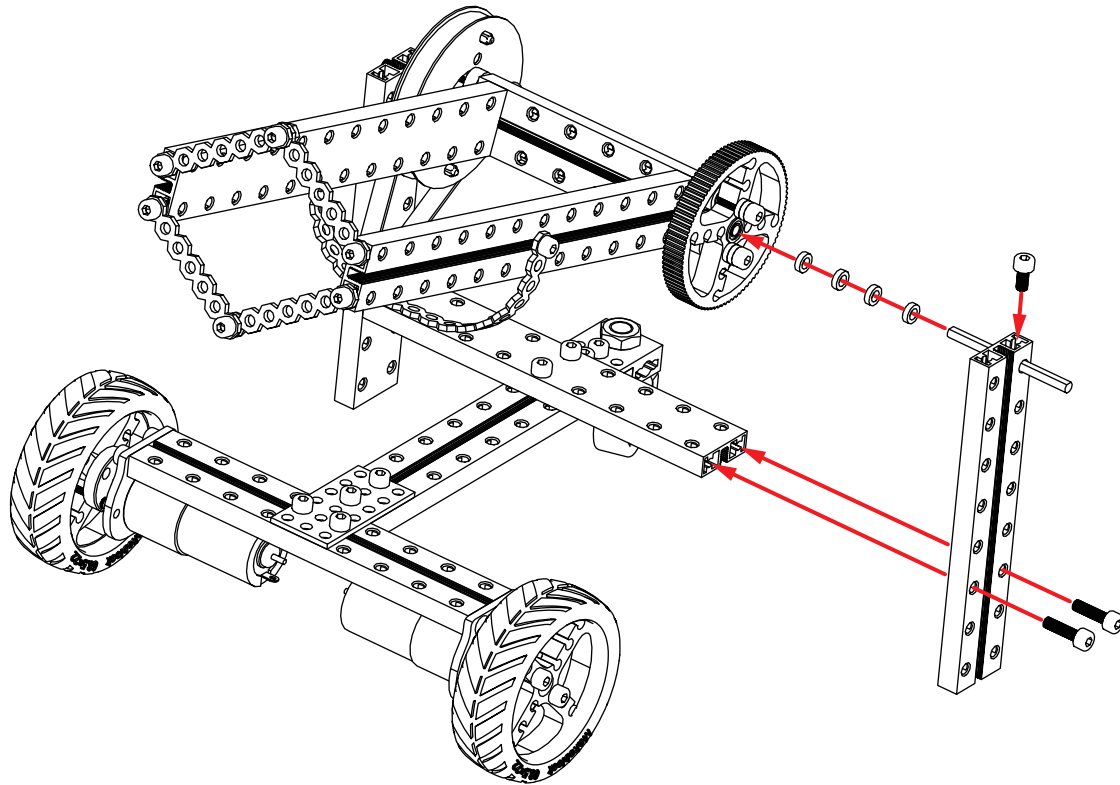
14

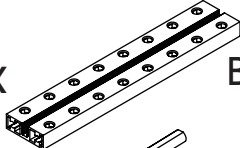






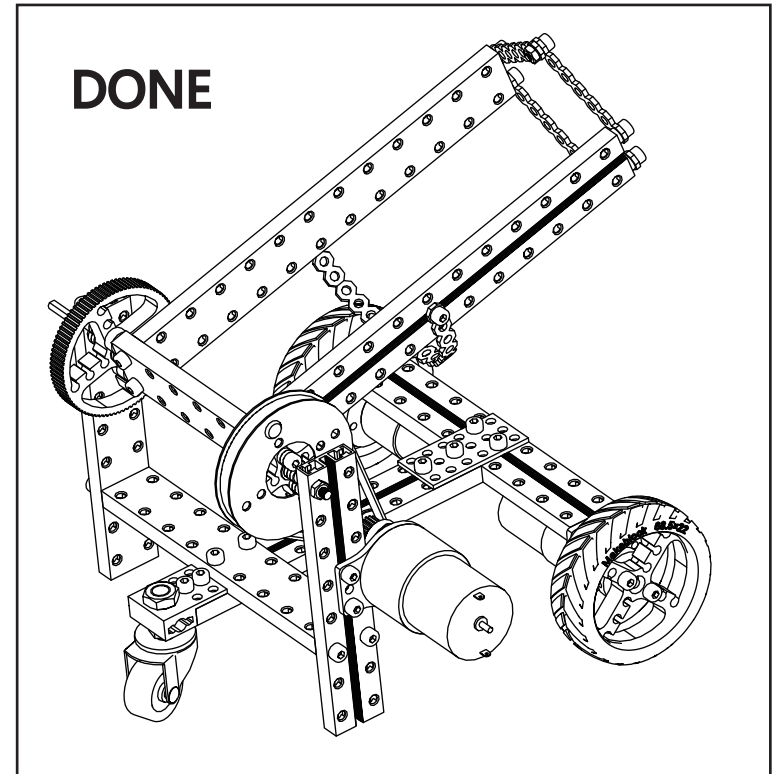
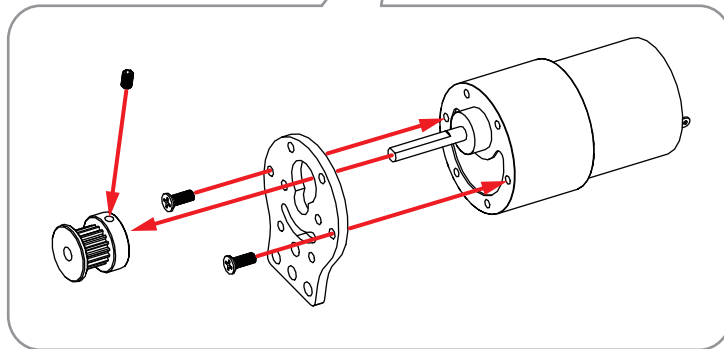
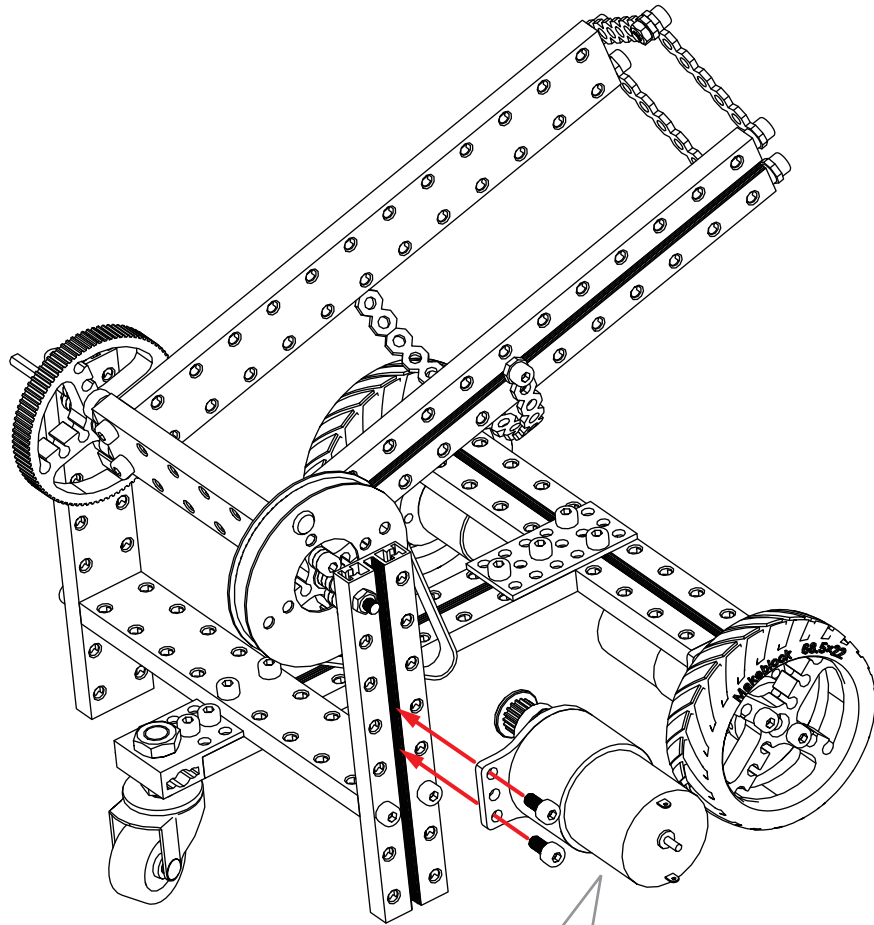


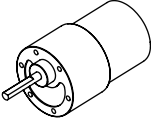






1x  Timing Belt 123T



- 1x  Beam 0824-128
- 1x  D Shaft 4x50mm
- 4x  Plastic Ring 4x7x2
- 1x  Screw M4x8
- 2x  Screw M4X14



- 2x  DC Motor-37
- 2x  DC Motor-37 Bracket
- 2x  Timing Pulley 18T
- 2x  Countersunk Screw M3x8
- 2x  Headless Screw M3x5